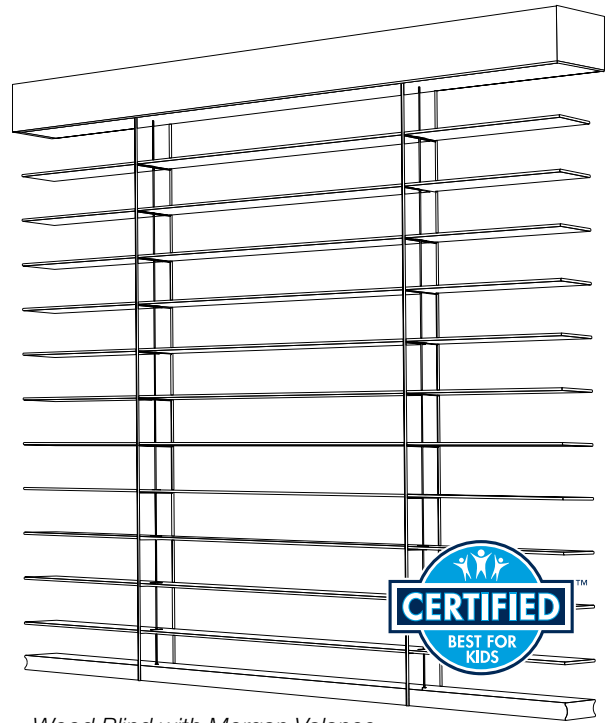


## Serena and Triathlon Wood Blinds

Wood Blinds are operated by quiet, precision control drives. The Electronic Drive Unit (EDU) is housed in the headrail and provides independent control of tilt. Tilt angle can be stored as a preset and recalled with the touch of a button. Cordless manual lift and lower allows the blind to be positioned at any height.

### Features

- Single blinds available in widths up to 72 in (1829 mm), and heights up to 72 in (1829 mm)
- System width up to 96 in (2438 mm) possible when configured as 2 blinds under one valance
- Provides maximum window coverage with the smallest possible light gaps; 1/4 in (6 mm) from slat ends to the window frame
- Tilt can be adjusted to vary the privacy/view level at any blind position
- Slat go to a pre-determined tilt angle when a stored preset is recalled
- Multiple presets can be defined for the same blind or group of blinds
- Slat are made of stable, high quality North American basswood, available in a wide variety of painted and stained finishes
- 2 optional valance styles are available
- Simple installation for both inside mount and outside mount applications
- Low-profile mounting brackets and EDU controls minimize light gap at the top of the headrail
- Blind components are designed for ultra-quiet operation (tilt operation will not exceed 44 dBA measured 3 ft [1 m] from EDU)
- Battery-powered, wired power, and manual tilt models available
- The EDU maintains consistent tilt speed throughout the battery life cycle by monitoring battery voltage and compensating for variations in the mechanical load
- Built-in wireless communication using ClearConnect Type A technology, providing control range of 30 ft (9 m)
- Compatible with handheld Pico wireless remote control and the Lutron 4-Group blind wireless remote control
- Serena blinds are compatible with Caséta Wireless systems
- Triathlon blinds are compatible with Lutron RA2 Select and Caséta Pro systems
- In Caseta Wireless, Caseta Pro and RA2 Select systems, blinds can be controlled by Natural Light Optimization. This feature automatically tilts blinds to preset angles throughout the day to diffuse direct sunlight and maximize daylight comfort in any space.



Wood Blind with Morgan Valance

### Safety

- Fully compliant with WCMA safety guidelines for window treatments

### Regulatory

- cULus Listed
- FCC (USA)
- IC (Canada)

### Ratings

- Operating voltage: Low-voltage Class 2 or equivalent, 6-12 V<sup>---</sup>
- Power must be derived from a Lutron approved NEC® Class 2 power source
- The Lutron approved NEC® Class 2 power source provides surge and Electro Static Discharge (ESD) protection for all devices in the system
- Operating wattage: 5 W
- Tilt Speed: 68.5°/Second

### Environment

- Temperature: 30 °F to 104 °F (0 °C to 40 °C)
- For indoor use only
- Relative Humidity: <90% non-condensing

Job Name:

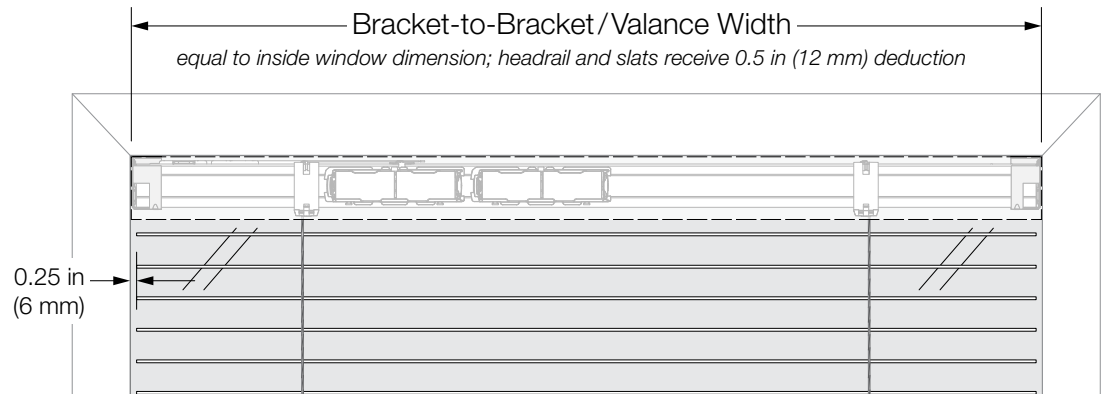
Model Numbers:

Job Number:

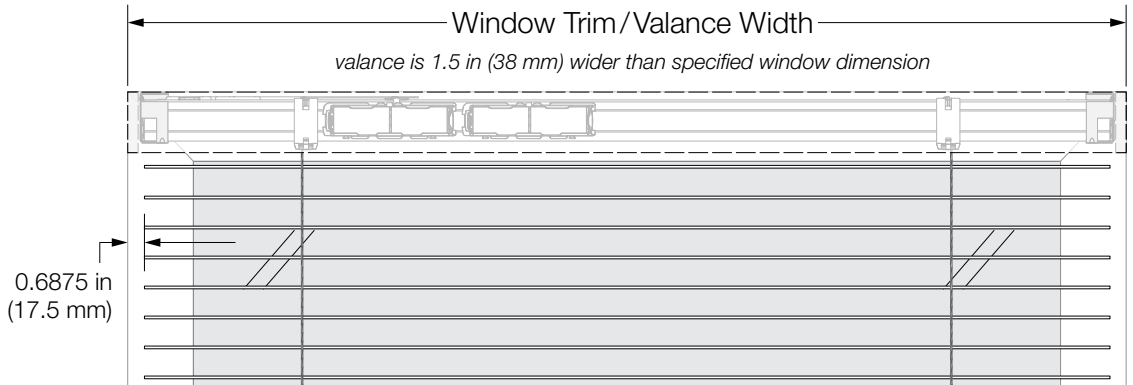
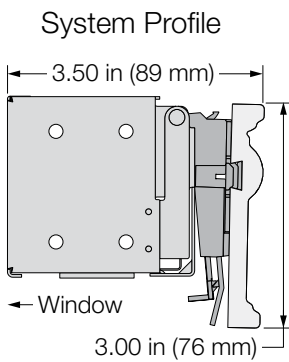
## Dimensions

### Installed Blind (inside mount)

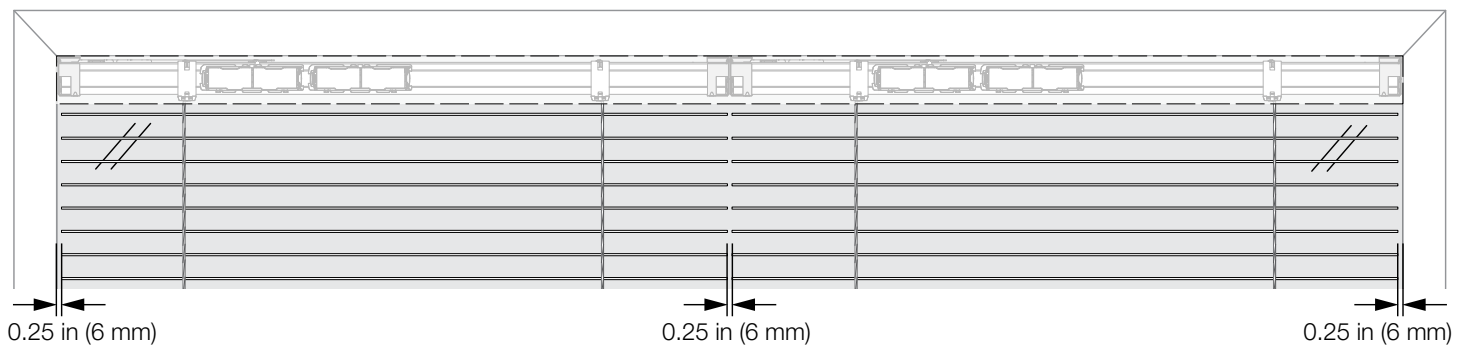
- Window frame depth must be at least 2 in (51 mm) for inside mount applications.
- Window frame depth must be 3 5/8 in (92 mm) or more to fully recess blind in window frame.
- Please refer to [Application Note #752](#) for more information about specifying valance returns for inside mount applications.



### Installed Blind (outside mount)



### Two Blinds Under One Valance (inside mount shown)



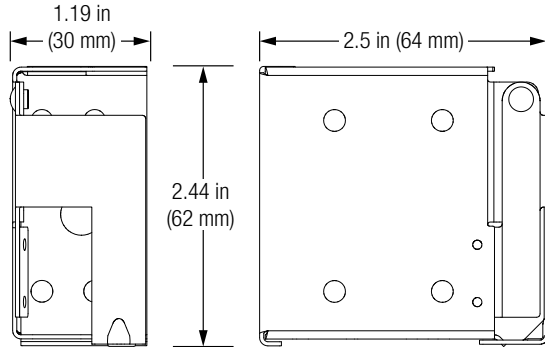
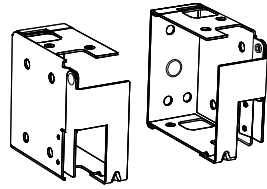
Job Name:

Model Numbers:

Job Number:

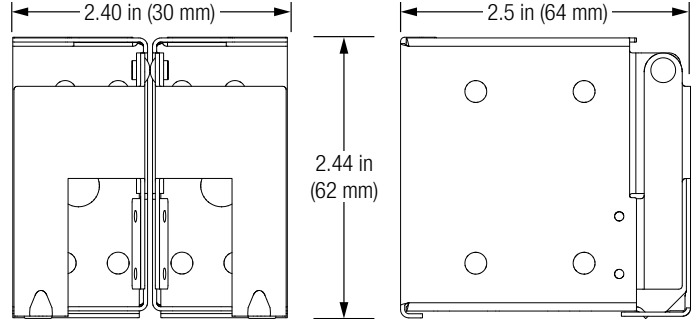
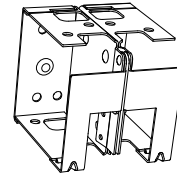
**Mounting Brackets**

*Left & Right*

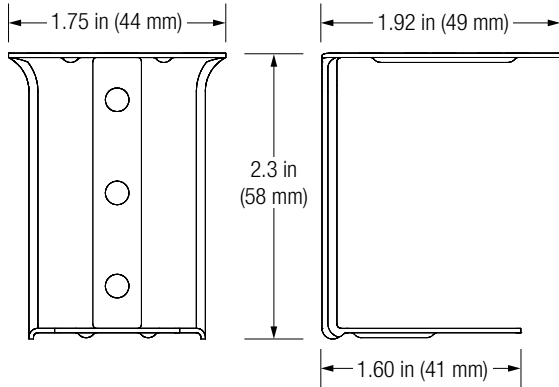
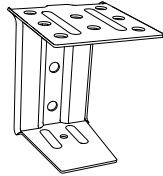


**Mounting Bracket**

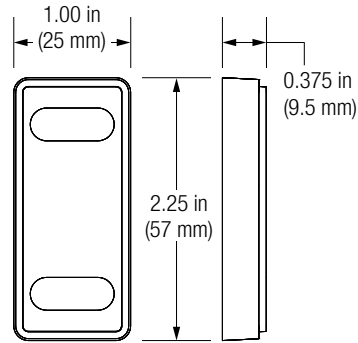
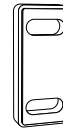
*Combined Right/Left  
for 2 Blinds under 1 Valance*



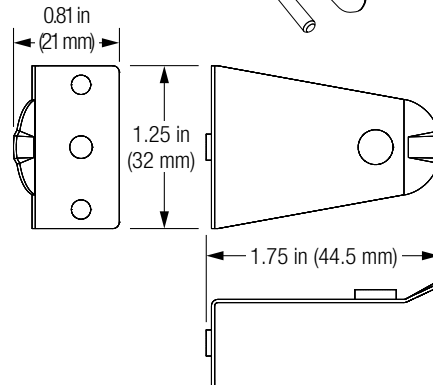
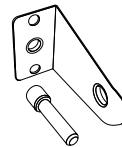
**Center Support**



**Bracket Spacer Block**



**Hold Down Bracket**

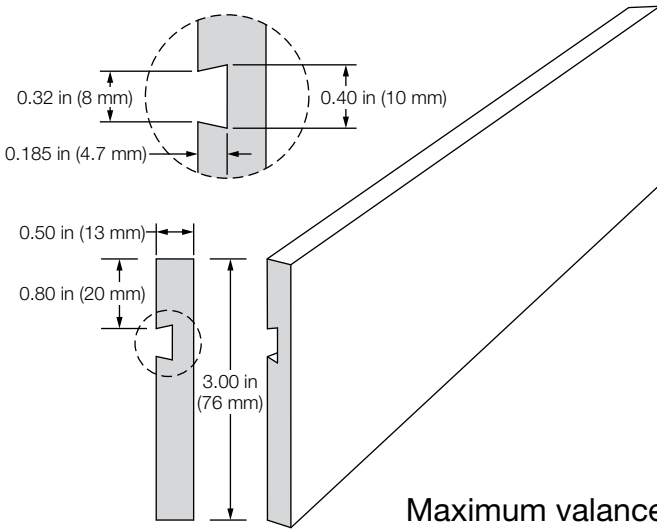


Job Name:	Model Numbers:
Job Number:	

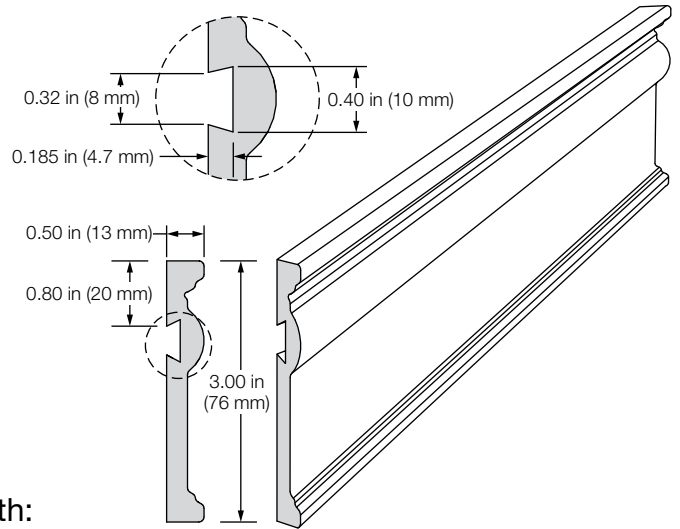
### Valance options

2 valance styles are available for inside and outside mount applications.

#### Inside Mount



Morgan



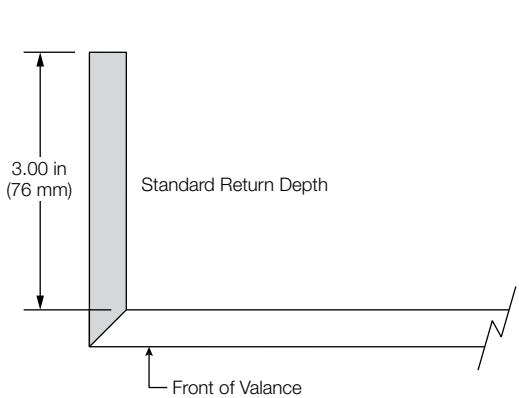
Easton

Maximum valance width:  
96 in (2438 mm)

#### Valance With Returns

Valances may be specified with returns for outside mount and certain inside mount applications with partial recess. The standard return depth is 3.00 in (76.2 mm) measured from the back of the valance.

Custom returns may be specified in any dimension between 0.5 in (12.7 mm) and 4 in (101.6 mm), to meet the needs of the application. Please refer to [Application Note #752](#) for information about specifying custom valance return sizes.



Morgan

Easton

Job Name:	Model Numbers:
Job Number:	

## Power Options

### Battery power

- Batteries are not included
- Quantity requirement varies with blind size

Blind Width	Batteries Required
20 in (508 mm) to 28 in (711 mm)	12 AA Lithium
28 1/8 in (714 mm) to 42 1/8 in (1070 mm)	4 D-Cell Alkaline
42 1/4 in (1073 mm) to 72 in (1829 mm)	8 D-Cell Alkaline
54 in (1372 mm) to 72 in (1829 mm) with Battery Boost option	12 D-Cell Alkaline

**NOTES:**

The width ranges shown above are for an outside-mount blind.

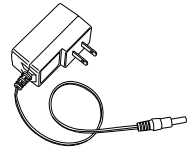
Install new batteries. Do not mix brands or types. A diagram on the battery holder shows correct orientation. Lutron recommends Energizer® Lithium AA batteries, and Duracell® or RAYOVAC® D-Cell Alkaline batteries.

Battery Boost option is available for blinds wider than 54 in (1372 mm). The Battery Boost feature adds (4) batteries for extended battery life in larger blinds and high-use applications.

To maintain performance specifications in buildings with 20 or more Lutron Radio Powr Savr Sensors, Lutron recommends powering blinds with a wired power supply.

### Plug-in power supply

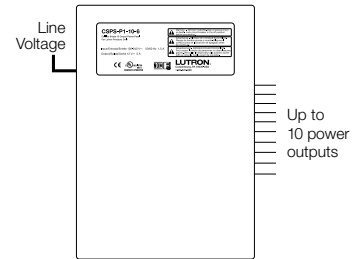
- CSPS-P1-1-6-WH available separately.
- Blinds ordered with wired power include a 15 ft (4.5 m) power wire.



### Power panel\*

10-output power supply, CSPS-P1-10-6 available separately.

- Input Voltage: 120-240 V~
- Max. input current: 1.5 A
- Operating frequency: 50/60 Hz
- Output Voltage: 12 V
- Output Current: 5 A
- ESD Protection: (+/-) 16 kV



\* Secondary wiring must be of type CL2, CL2P, CL2R, CL2X or other cable with equivalent or better electrical, mechanical, and flammability ratings in accordance with local and national electric code.

Replacement parts and kits are available. Call Lutron Customer Service at +1.888.588.7661 for more information.

<b>Job Name:</b>	<b>Model Numbers:</b>
<b>Job Number:</b>	